

1. Installed inside a tank of mineral oil.
2. A stainless steel wire type.
3. Filtration rating of 60, 100, 150 and 200 mesh as standard.

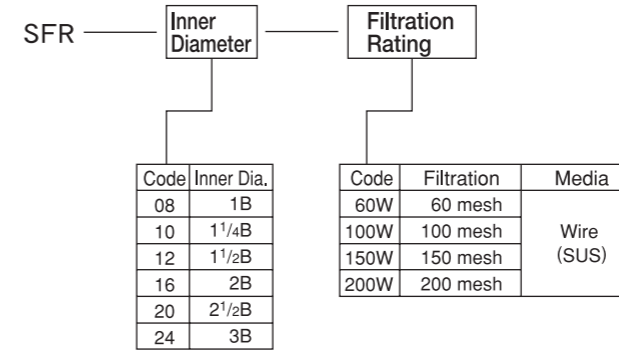
■ Part List

Part No.	Part Name	Material	Qty	Remarks
8	Spring	SWPA	1	
7	Holder	A5056	1	
6	Nut	SS	2	M10
5	Rod	SS400	1	
4	Inner tube	SECC	1	
3	End plate (B)	SECC	1	
2	End plate (A)	SECC	1	
1	Media	SUS	1	

■ Dimensions and Standard Flow Rates

Symbol Model	Inner Dia. (d)	D	C	L	φ	Standard Flow Rate (ℓ/min)
SFR-08	33.1	82.2	33.0	260	71	91
SFR-10	41.6	103.6	41.5	350	71	140
SFR-12	47.1	123.6	47.0	440	81.5	206
SFR-16	59.6		59.5	560	110	337
SFR-20	75.1	146.6	75.0	680	128	605
SFR-24	88.1		88.0	800		817

► Model Code



Coding Example
SFR-08-150W

► Flow Rate Chart

- ISO VG32
- Viscosity: 32 cSt (40°C)

