

1. Installed inside a tank of mineral oil.
2. A stainless steel wire type.
3. Filtration rating of 60, 100, 150 and 200 mesh as standard.

Caution When mounting/dismounting the filter to and from a pipe, set a wrench on the hex part of the coupling.

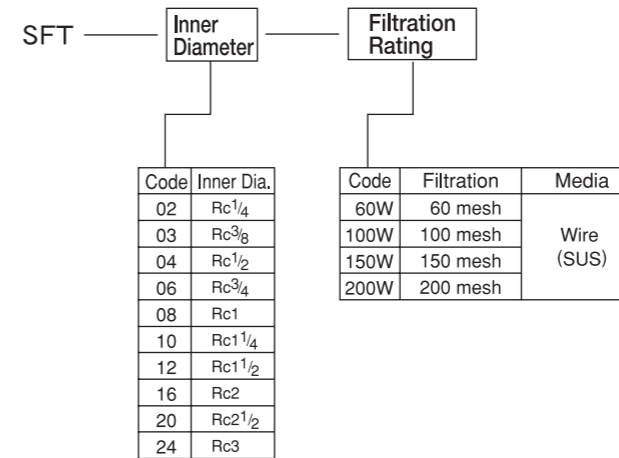
Part List

| Part No. | Part Name | Material | Qty | Remarks |
|----------|-------------------|----------|-----|---------|
| 5 | Wire gauge | SUS | 1 | |
| 4 | Inner tube | SECC | 1 | |
| 3 | End plate (Lower) | SECC | 1 | |
| 2 | End plate (Upper) | SECC | 1 | |
| 1 | Coupling | SS400 | 1 | |

Dimensions and Standard Flow Rates

| Symbol Model | Inner Dia. (d) | φD | B | L | l ₁ | l ₂ | Mass (kg) | Standard Flow Rate (ℓ/min) |
|--------------|----------------|------|-----|------|----------------|----------------|-----------|----------------------------|
| SFT-02 | Rc1/4 | 62.2 | 19 | 45 | 36 | 9 | 0.085 | 7 |
| SFT-03 | Rc3/8 | | 22 | 46 | | 10 | 0.085 | 17 |
| SFT-04 | Rc1/2 | | 27 | 71 | 59 | 12 | 0.115 | 24.5 |
| SFT-06 | Rc3/4 | | 32 | 72 | | 13 | 0.115 | 51.5 |
| SFT-08 | Rc1 | 82 | 41 | 85 | 71 | 14 | 0.2 | 91 |
| SFT-10 | Rc1 1/4 | 104 | 50 | 87 | 71 | 16 | 0.325 | 140 |
| SFT-12 | Rc1 1/2 | | 55 | 97.5 | 81.5 | | 0.405 | 206 |
| SFT-16 | Rc2 | 124 | 70 | 130 | 110 | 20 | 0.59 | 337 |
| SFT-20 | Rc2 1/2 | | 85 | 150 | 128 | 22 | 0.75 | 605 |
| SFT-24 | Rc3 | 147 | 100 | 152 | 24 | 0.95 | 817 | |

Model Code



Coding Example
SFT-03-150W

Flow Rate Chart

- ISO VG32
- Viscosity: 32 cSt (40°C)

